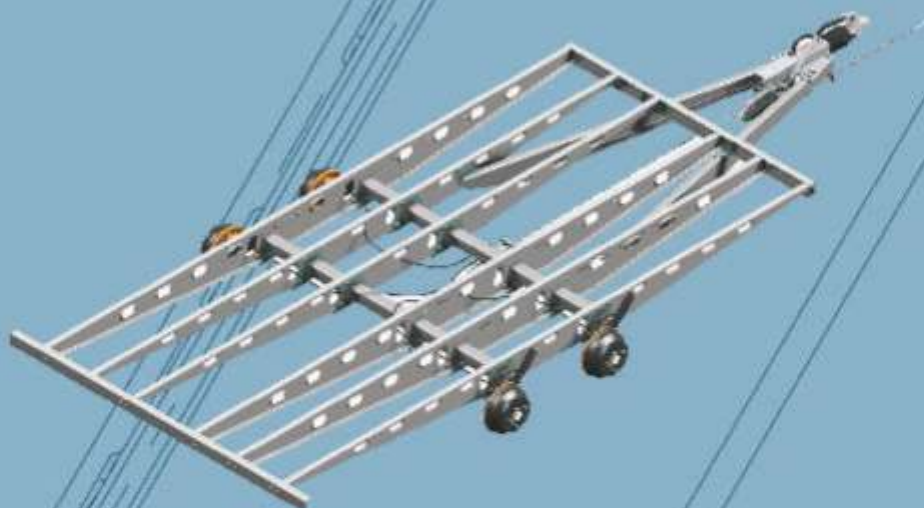


CHASSIS



CHASSIS

Constructing chassis are not part of our main products, but for special request can we create them for you. Here, we present you some forms of construction to give you insight how they are made.

For more information, please contact our sales personnel.

Standard surface treatment: hot dip galvanization

Includes:

- braked or unbraked axle,
- coupler or overrun device,
- cross rod

Additional parts:

- in case of braked axle brake cable and balance bar is included
- mudguard,
- winch
- lamps
- shock absorber

Chassis, unbraked (6B6890)
Load capacity up to 750 kg



Chassis, unbraked (6B7740)
Load capacity 350 - 500 kg



Chassis, unbraked (6B6882)
Load capacity up to 750 kg

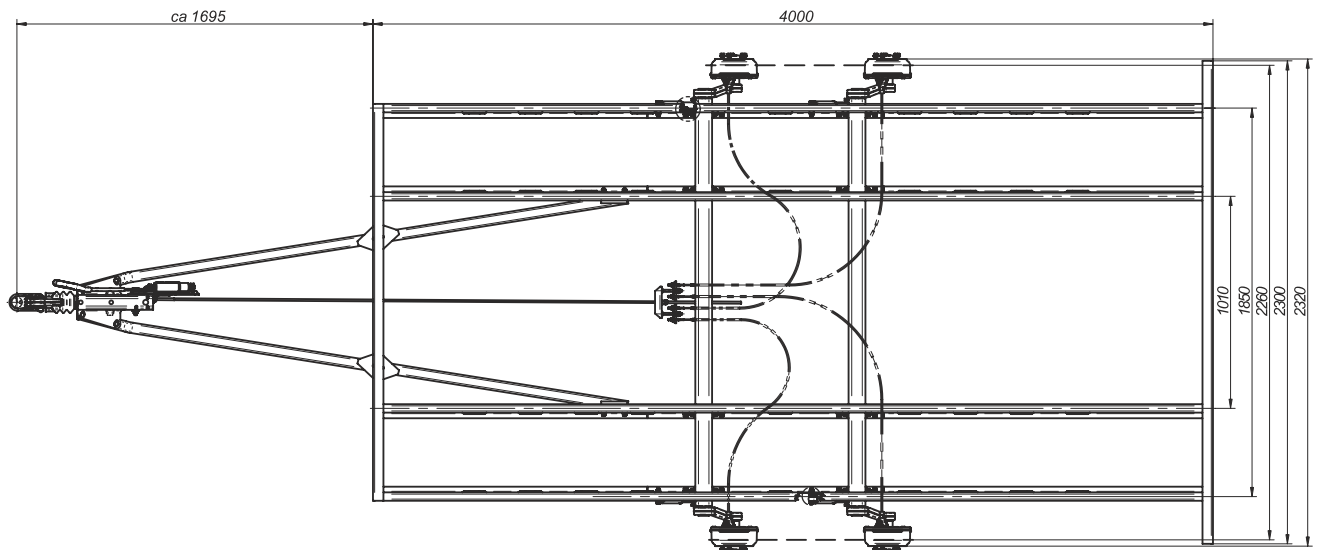
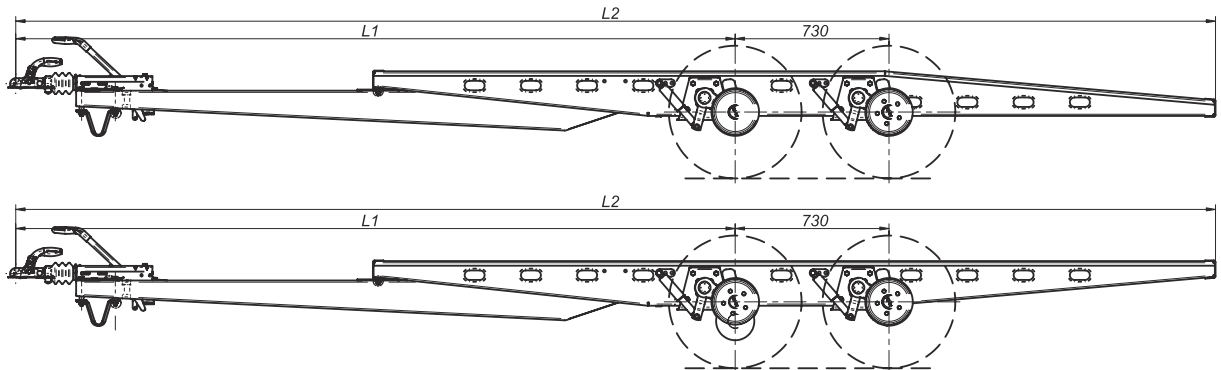


Chassis, braked (6B6886)
Load capacity up to 1500 kg



It is important to note that we only construct chasses, and not whole trailers.

LIGHT CONSTRUCTIONED SELF-SUPPORTING FRAME



Type	L (mm)	L1 (mm)	L2 (mm)	Own weight (kg)	Vertical load max.(kg)	Article number	Version
UT2000	4000	3415	5695	295	2000	6A6721.001	bolted
UT2700	4000	3415	5695	305	2700	6A6722.001	bolted
UT3500	4000	2990	5270	671	3500	6B3011.001	bolted
AT2000	4000	3415	5695	295	2000	6A6723.001	bolted
AT2700	4000	3415	5695	305	2700	6A6724.001	bolted
AT3500	4000	2990	5270	663	3500	6B2861.001	bolted

LIGHT CONSTRUCTIONED SELF-SUPPORTING FRAME



Chassis for utility trailers
Load capacity up to 2700 kg

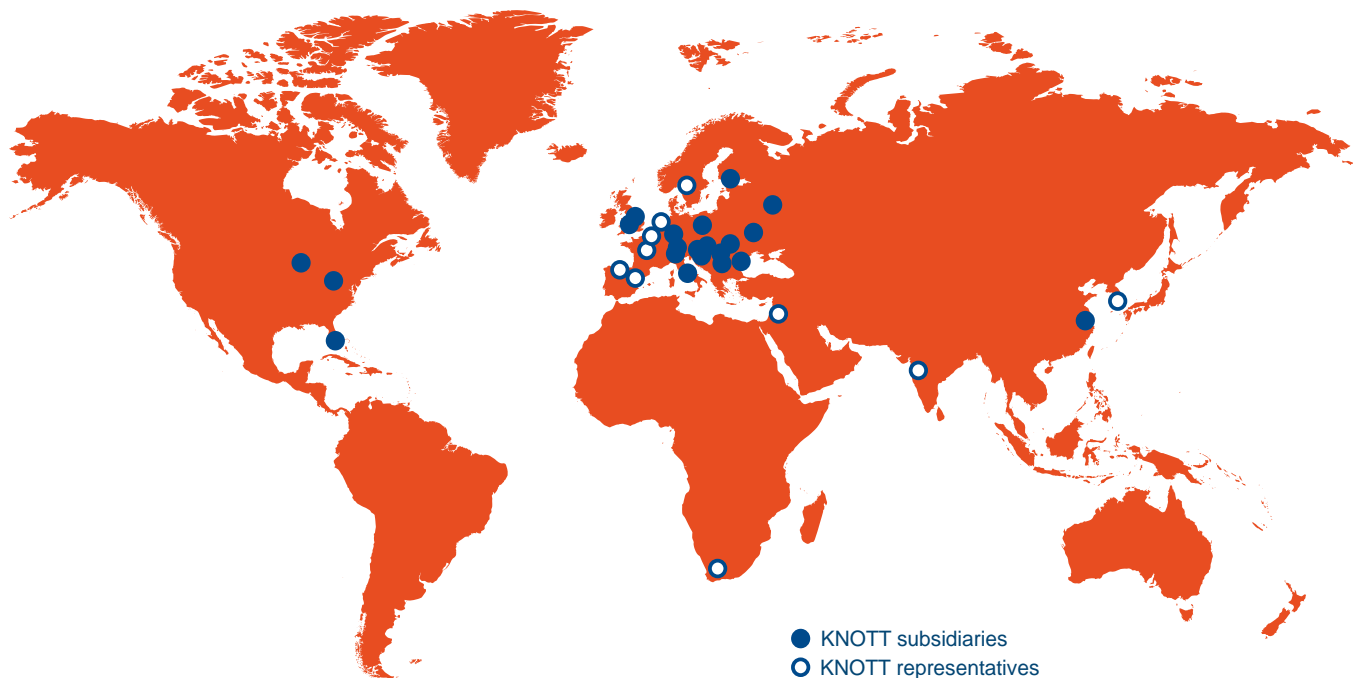
Chassis for car transporter trailers
Load capacity up to 3500 kg



Chassis for utility trailers
Load capacity up to 3500 kg

- Mountable version
- Hot-dip galvanised surface
- Connectable with optional body
- Little storage and carriage requirement
- Lightweight design
- Mono and tandem version
- Easy assamblage
- As demanded mounted with shock-absorber

There is no trailer without us



The Knott Group - global competency

The member companies of the Knott Group design, develop, produce and market braking systems for commercial and off-highway vehicles together with running gear components for trailers.

Competent, one-to-one consulting and outstanding product quality are characteristic of all the companies within the Group.

KNOTT's own production plants and branch offices are supported by a world-wide dealership network.



www.autoflex.ro

KNOTT GROUP
BRAKE AND TRAILER TECHNOLOGY

Presented by:

AUTOFLEX SRL

Tel.: (+40) 259/373-495 Fax: (+40) 259/406-748
RO-415500 Salonta - Sos. Aradului km 75+300 - Romania
web: www.autoflex.ro e-mail: info@autoflex.ro